

CMG21A大米抛光机

CMG21A大米抛光机是永祥集多年生产研发大米抛光机的专业技术，融合现代大米抛光新理念，采用国际化配置，精心制造的新一代大米抛光机，该机除关键部件采用国际化配置外，其它部件全部由现代化数控加工设备生产，包括数控下料、整形、加工、动平衡试验等，产品机械性能稳定可靠、经久耐用达到国际先进水平，是现代大中型碾米企业理想的抛光设备，该机既可供碾米工艺流程中配套使用，也可供大米深加工单独使用。



CMG21A大米抛光机

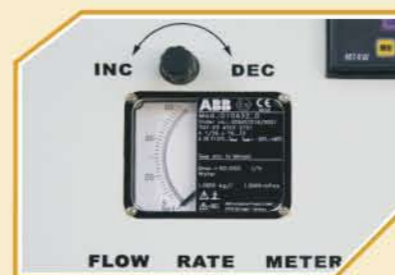
CMG21A RICE POLISHER

CMG21A RICE POLISHER is a new generation rice polisher integrated professional technology of many years and modern new notion. besides equipped with current international brand parts, other parts are all manufactured by modern digital control machining equipment, including digital control blanking, machining, dynamic balance test and so on. so its mechanical performance is stable and reliable; its quality reaches international level; the product is more durable. It is not only applied to complete set of equipment for rice milling plant but also use alone for rice further processing.



● 高耐磨的光亮多筋分段抛光辊与高耐磨多规格分段筛片组合，可以满足各种粒型大米抛光的工艺要求，抛光后的大米精度高、增碎少、表面洁白透亮。

● The application of combining high wearable polishing cylinder with multirib and subsection structure and subsection sieve with many specifications meets technological requirements of various type of rice polishing. polished rice has high degree and becomes lucent on its surface, less broken rice increment.



● 采用世界名牌金属转子流量计，工作灵敏、稳定，调节方便，流量控制范围大，保证多位高压空气喷雾装置，着水均匀，雾化充分，使大米抛光效果始终稳定，同时方便操作。

● By using world's notable brand of flow meter with metal rotor, operation is sensitive, stable and easy to adjust. larger scope of flow control ensures mutilposition high pressure spray, keeping watering uniform and spraying sufficient, thereby making polishing effect stable all the time and easy to operate at the same time.



● 配备风门调节装置和进口负压表，可以保证整个抛光过程在量化的负压状态下进行，抛光效果稳定可控。

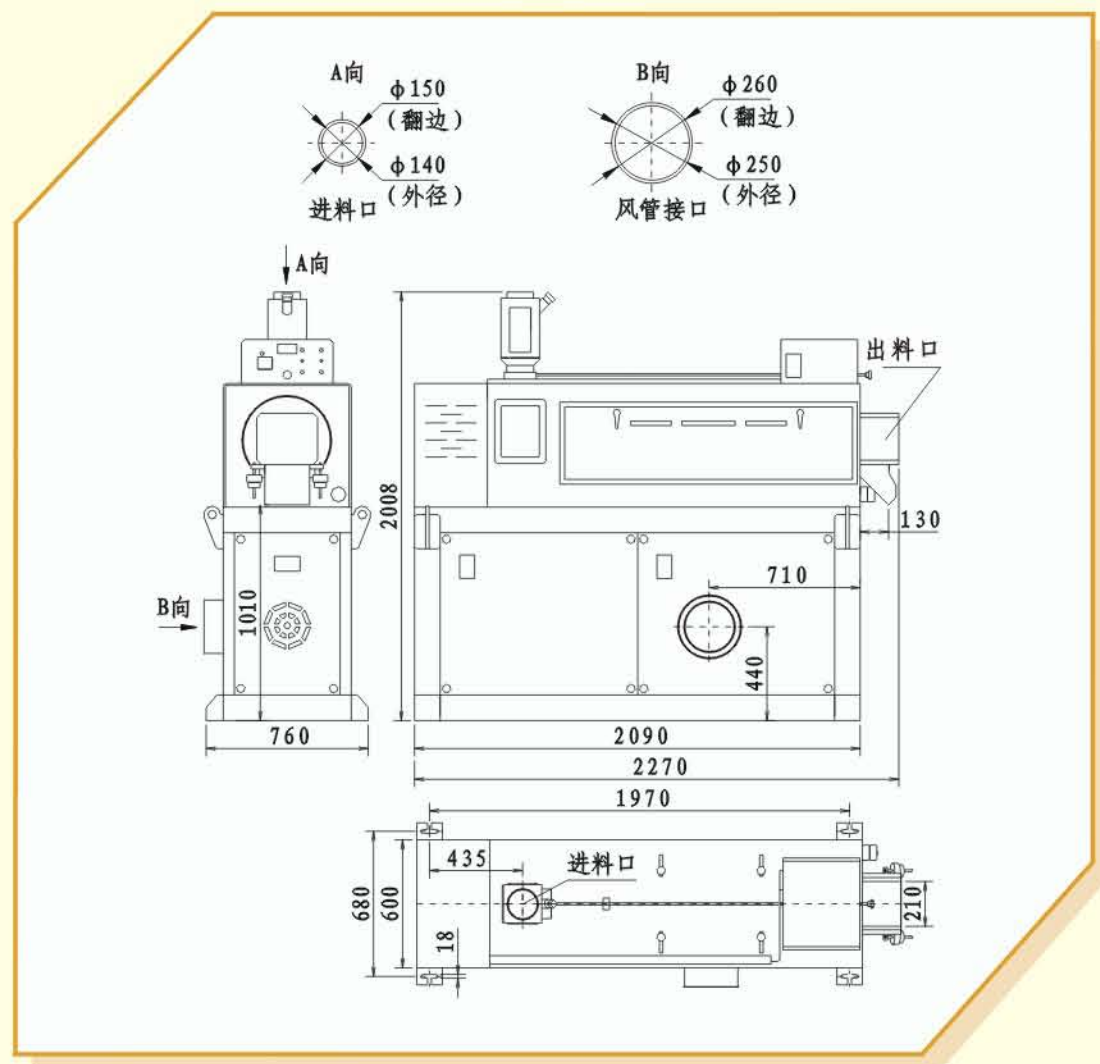
● The application of air gate adjustment device and imported negative pressure meter ensures that whole polishing processing is carried out under the condition of negative pressure of quantification, thereby having stable and controllable polishing effect.



● 采用进口料位器、电磁阀、数显电流表等关键元器件，保证抛光过程的控制操作简便可靠、快速清晰，自动化程度高。

● With imported key components such as level gauge, solenoid valve, digital display amperemeter and etc., make the control of polishing easy, reliable, quick and legible, having high automation.

外形尺寸与地脚安装图 OVERALL DIMENSION



主要技术参数 MAIN TECHNICAL DATA

型号Type	CMG21A
单机处理量Output (t/h)	3.5~5
主机动力Power (kw)	55
配置动力 Required power (kw)	11+0.08+1
负压 Negative pressure (mmH ₂ O)	150 ~ 250
风量Air volume (m ³ /min)	40 ~ 50
机重 (不含电机) Weight (kg)	1245

注：配置动力是抛光机配套的风机、水泵、水箱加热器功率
Required power: It includes the power of blower, water pump and tank as well as heater.

通过ISO9001国际标准质量体系认证

E-mail: yongxiangmiji@sohu.com http://www.hbyxlj.com

地址：湖北省安陆市府河大道8号

ADD: 8 FUHE AVE. ANLU CITY, HUBEI, CHINA

电话(TEL): 0712-5254443 5254445 5258762 传真(FAX): 0712-5254443 邮编(POSTCODE): 432600

CMG21A 大米抛光机
RICE POLISHER



湖北永祥粮食机械股份有限公司

HUBEI YONGXIANG FOOD PROCESSING MACHINE CO.,LTD.