

## MNMP17 铁辊喷风碾米机

MNMP17铁辊喷风碾米机是根据粳米加工的要求，结合多年的技术经验精心设计的一种专用于生长期较长的粳米加工设备。具有加工精度高，米温低，碎米少，是大米加工厂（日产80-120t大米）碾米工艺配置较理想的设备。

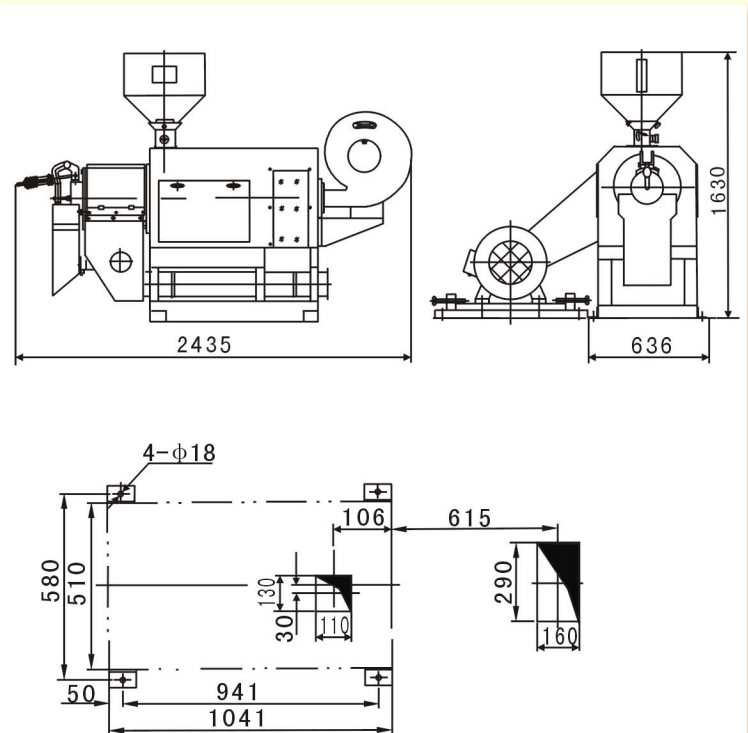
### 特点

- 特殊的轴承安装结构设计，使得设备安装方便，拆卸容易使用寿命长，运转平稳。
- 箱式结构，使机器运转平稳；悬臂式碾米室，拆卸米筛、筛框、铁辊、推进器较为方便。
- 钢结构筛托架，高耐磨米筛、米刀、高亮度米辊，加工米粒光亮，加工成本低。
- 高压、高风量喷风，高负压吸糠，使加工大水分稻谷成为可能。
- 加工的大米米温低、碎米少、精度高，米中糠粉少，米机系统排糠畅通，工作效率高。

MNMP17 iron roll rice whitening machine with jet-air is designed to be specialized in processing short-grain rice, which has longer period of growth, as a matter of experience for years. It has advantages such as high whitening degree, low rice temperature, less broken rice, especially strong germ removal capability, so it is an ideal equipment for rice mills (80T~120T/day).

### Feature

- The special bearing mounting design results in easier machine installation and bearing disassembling, longer service life and steady operation.
- The box-like machine frame and cantilevered whitening chamber contribute to steady running of the machine and easier disassembling of the screen pieces and their frame, the iron roll and the screw iron roll section.
- The sieve case made of steel, wearable screen pieces and huller blades, and shiny whitening cylinder make rice kernels brighter, processing cost low.
- Jet air with high pressure and air volume, suction bran with high negative pressure make it possible to process high moisture paddy. It features low rice temperature, less broken rice, high degree of rice, low bran content, and that bran discharge unclogged in whole system, there by increasing efficiency.



(外形尺寸与地脚安装图)

### 主要技术参数

型号Type	MNMP17
处理量Output ( t/h )	3.5~5.0
主机动力Power ( kW)	30~45
风量Air volume ( m <sup>3</sup> /min )	20~30
风压 Air Pressure ( Aq )	100~150
机重Weight ( kg )	510

### 通过ISO9001国际标准质量体系认证

E-mail: yongxiangmiji@sohu.com <http://www.hbyxlj.com>

地址：湖北省安陆市府河大道8号

ADD: 8 FUHE AVE. ANLU CITY, HUBEI, CHINA

电话(TEL): 0712-5254443 5254445 5258762 传真(FAX): 0712-5254443 邮编(POSTCODE): 432600