

MNMP系列铁辊喷风米机

MNMP系列铁辊喷风米机适用糙米碾白，可多机串联使用，也可一机出白。针对不同地区、不同品种的稻谷，仅作适当的调整，即能获得良好的加工效果，是碾米企业理想的配套设备。

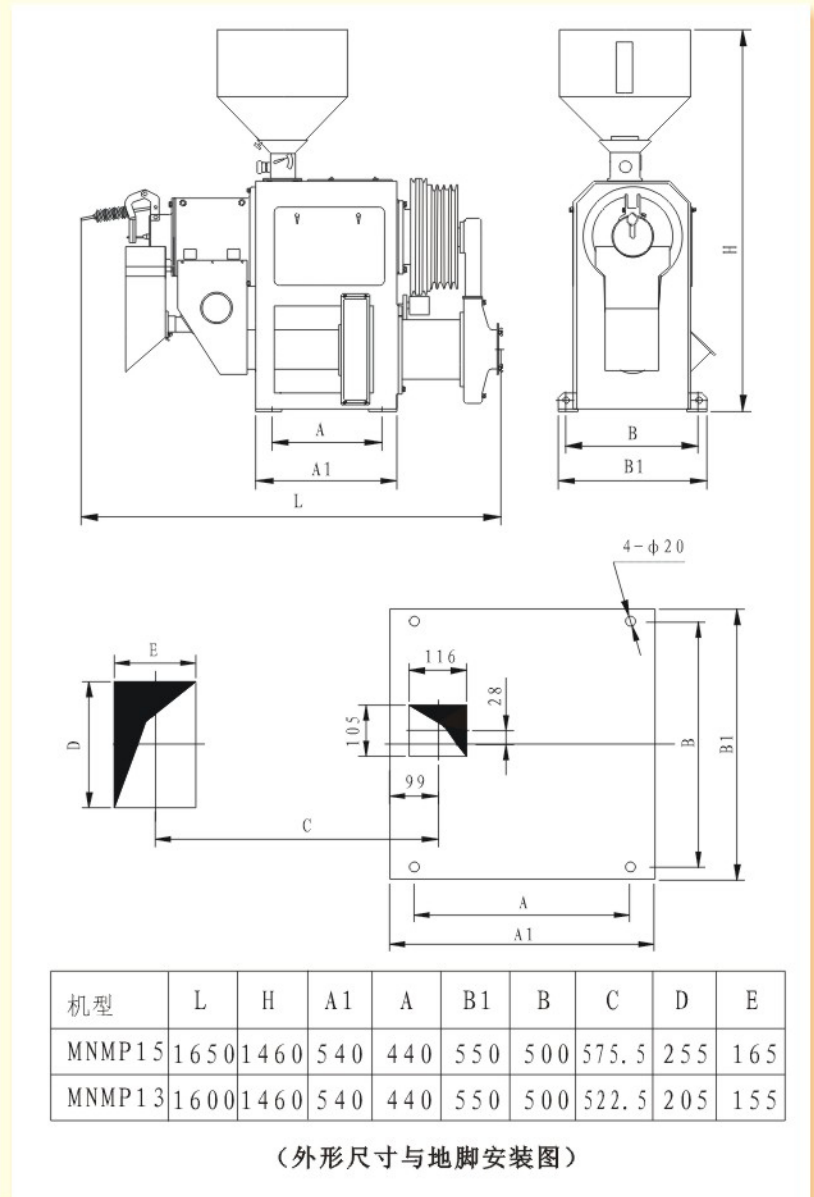
特点

- 采用轴向出料，米室压力稳定，碎米少。
- 使用强喷风、强拉风，米温低，排糠效果好。
- 采用特殊轴承结构，拆装方便。
- 整机箱式结构，性能稳定、经久耐用。

MNMP series iron roll whitener is mainly suited for whitening husked rice. It can be either used for whitening through multiple passages or whitening through single passage. In different areas, according to different paddy variety, only need to adjust properly, you can achieve good processing effect. It is at present an ideal equipment for rice milling plant.

Feature

- With axial discharge, the pressure of whitening chamber stable and less broken rice.
- With the technology of strong jet air and dragging wind, rice temperature is lower and the bran discharging effect is greatly improved.
- Special bearing structure makes the assemble and disassemble easier.
- The application of whole boxlike structure keeps the performance stable, and reliable.



主要技术参数

型 号Type	MNMP15	MNMP13
处理量Output (t/h)	2.5-3.5	1.5-2.5
主机动力Power (kW)	22	18.5
风量Air volume (m ³ /H)	1000-1200	1000-1200
机重Weight (kg)	460	440

通过ISO9001国际标准质量体系认证

E-mail: yongxiangmiji@sohu.com http://www.hbyxlj.com

地址: 湖北省安陆市府河大道8号

ADD: 8 FUHE AVE. ANLU CITY, HUBEI, CHINA

电话(TEL): 0712-5254443 5254445 5258762 传真(FAX):0712-5254443 邮编(POSTCODE): 432600