

## MMJP120×4A白米分级筛

MMJP120×4A白米分级筛是采用弹簧撑杆式结构的新型白米分级设备，它利用大米颗粒大小的差异，通过四层不同直径圆孔筛板的连续筛理，分离出完整米、一般米、大碎和小碎，从而达到白米分级的目的。该机还可用于白米的分类，是现代碾米企业筛选整理工序中较理想的设备。

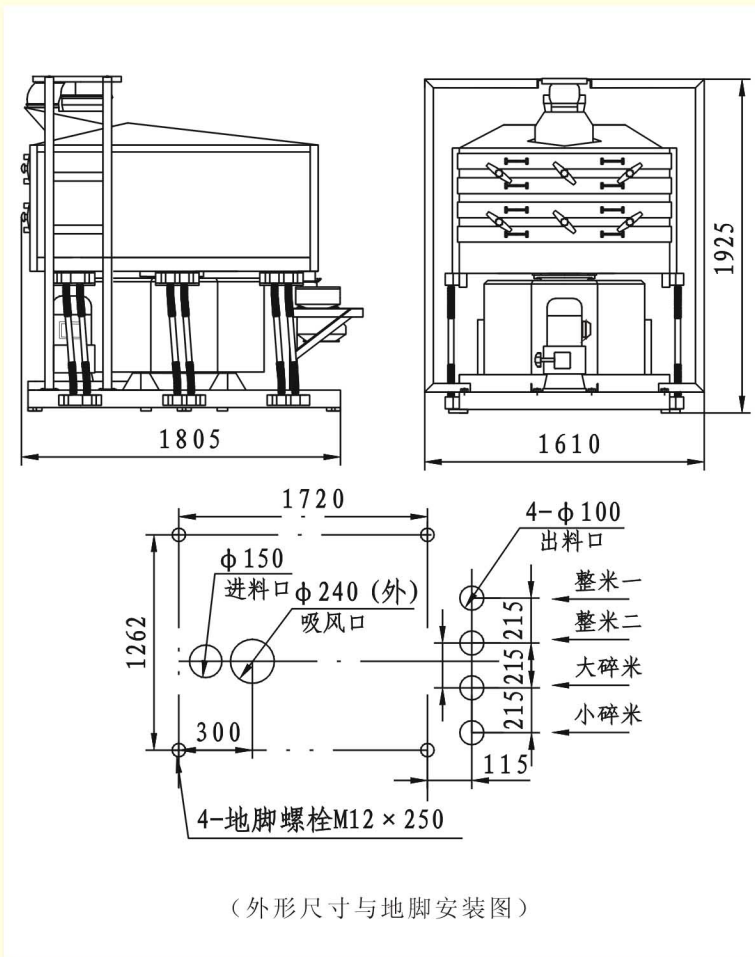
### 特点

- 采用6点弹簧撑杆式结构，机械性能稳定可靠，平衡性好，经久耐用。
- 利用四层筛板，两次提取出整米，产量高，分离效果好。
- 配置无级调速机构的电机，变速范围大，惯性小，可靠性高，筛理行程长，整米中碎米含量少，并可根据用户需要灵活调整产量与分级效果。
- 自带配米装置，可根据用户需要调整成品米等级。

MMJP120×4A white rice grader adopt spring flexible support mechanism. By taking advantage of the different size among rice, separate head rice, common rice, broken rice and small broken by adopting four layers of perforated screens of different diameters with reciprocating movement so as to achieve its function. It also has effect on white rice classification. It is a necessary and ideal equipment for modern rice milling plant.

### Feature

- With six points spring support construction, it has stable performance and fine balance, reliable and durable.
- With four layers of screens, separate head rice twice, so it has high capacity, better separating effect.
- With stepless speed adjustment motor, it has big range of adjustment, less inertia and high reliability, long sifting route and less broken rice contained in head rice. Rice degree can be adjusted according to client's requirements.
- Equipped with rice divider, adjust the degree of finished rice according to the requirement.



## 主要技术参数

型号Type	MMJP120×4A
处理量Output ( t/h)	4.5~6
配备功率Power ( kw)	1.5
转速Rotary speed ( rpm)	150±15 (运转中无级调速)
外型尺寸Dimensions (L×W×H) mm	1805×1610×1925
机重Weight ( kg )	850

### 通过ISO9001国际标准质量体系认证

E-mail: yongxiangmiji@sohu.com http://www.hbyxlj.com

地址: 湖北省安陆市府河大道8号

ADD: 8 FUHE AVE. ANLU CITY, HUBEI, CHINA

电话(TEL): 0712-5254443 5254445 5258762 传真(FAX): 0712-5254443 邮编(POSTCODE): 432600